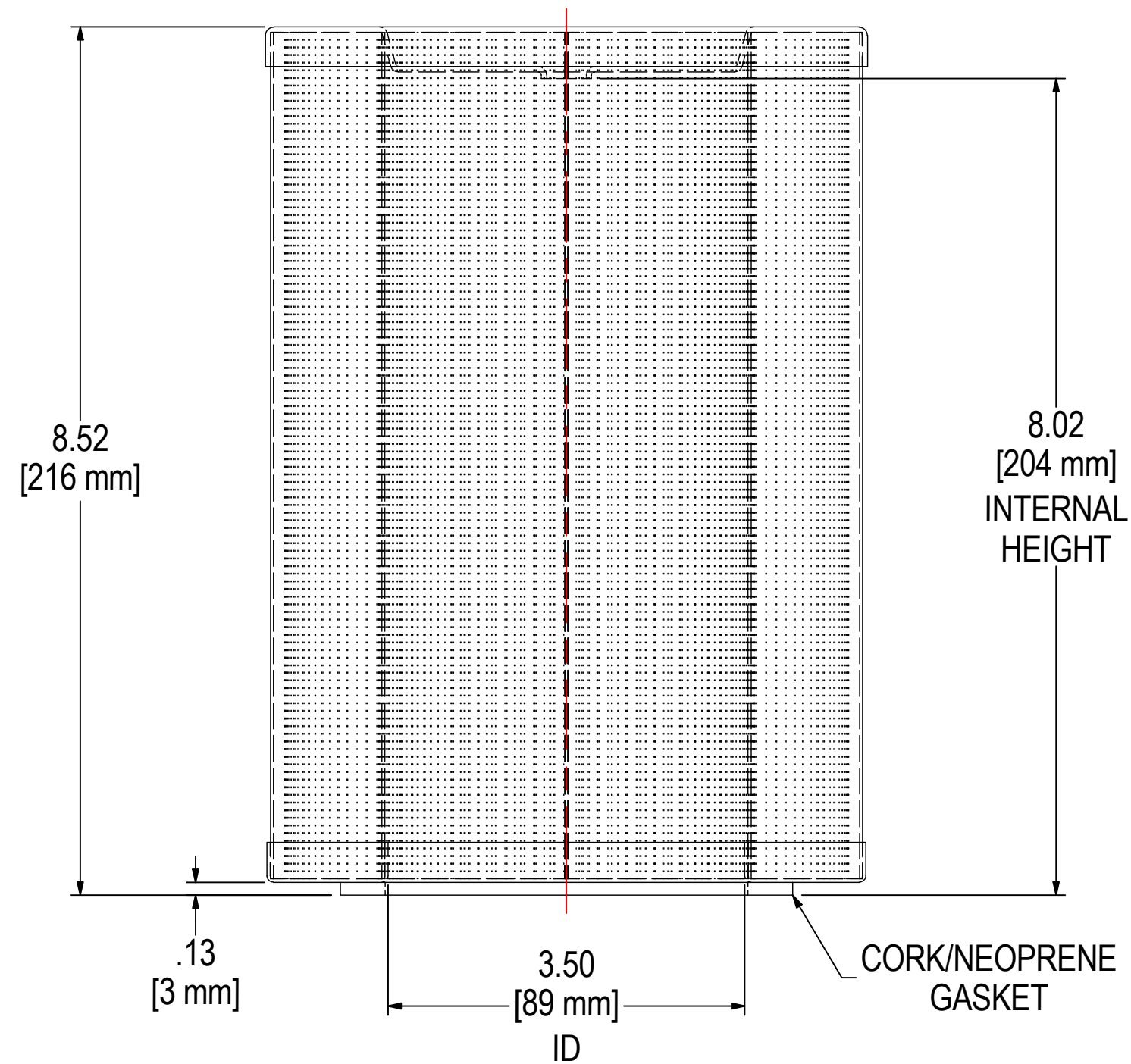
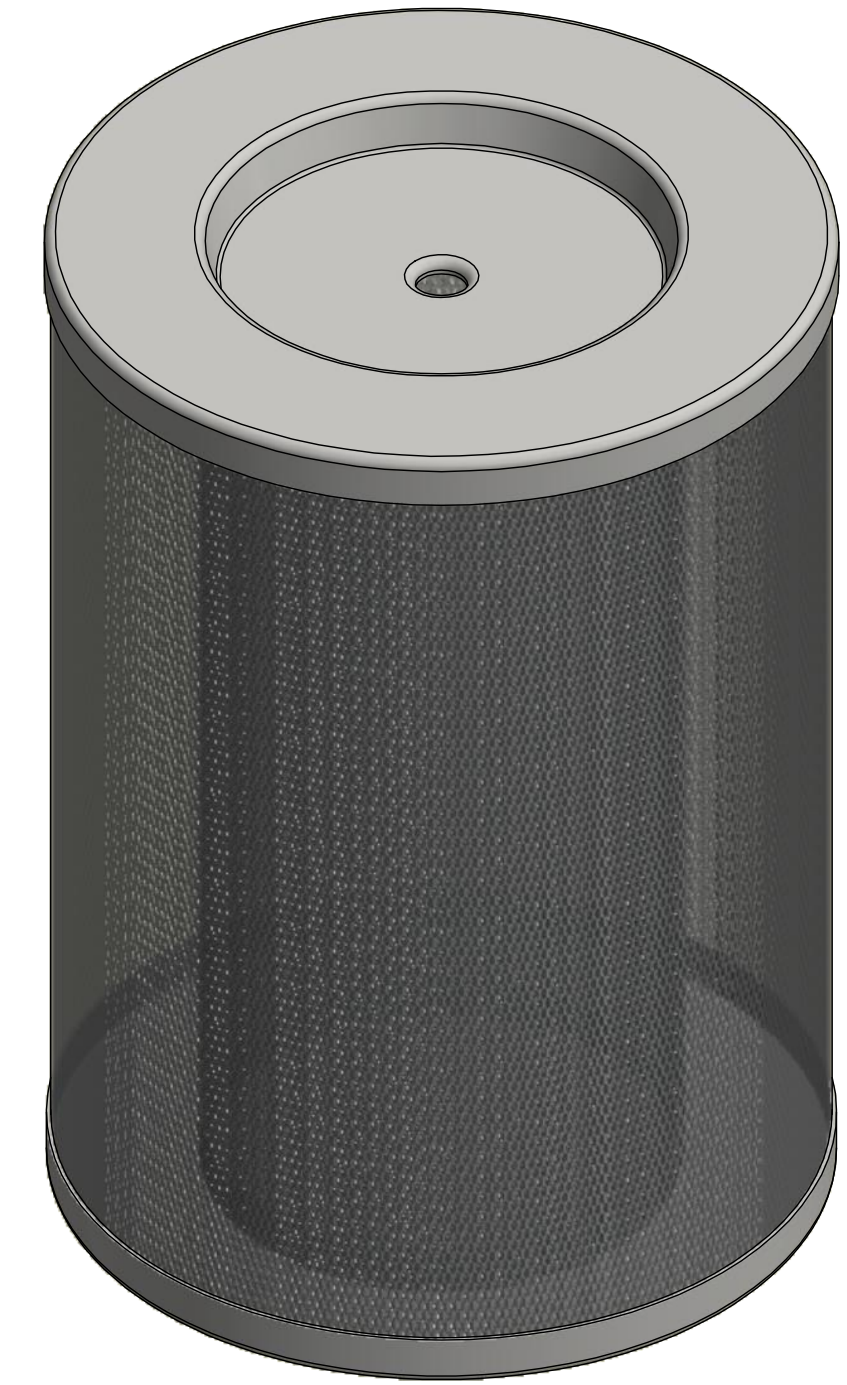
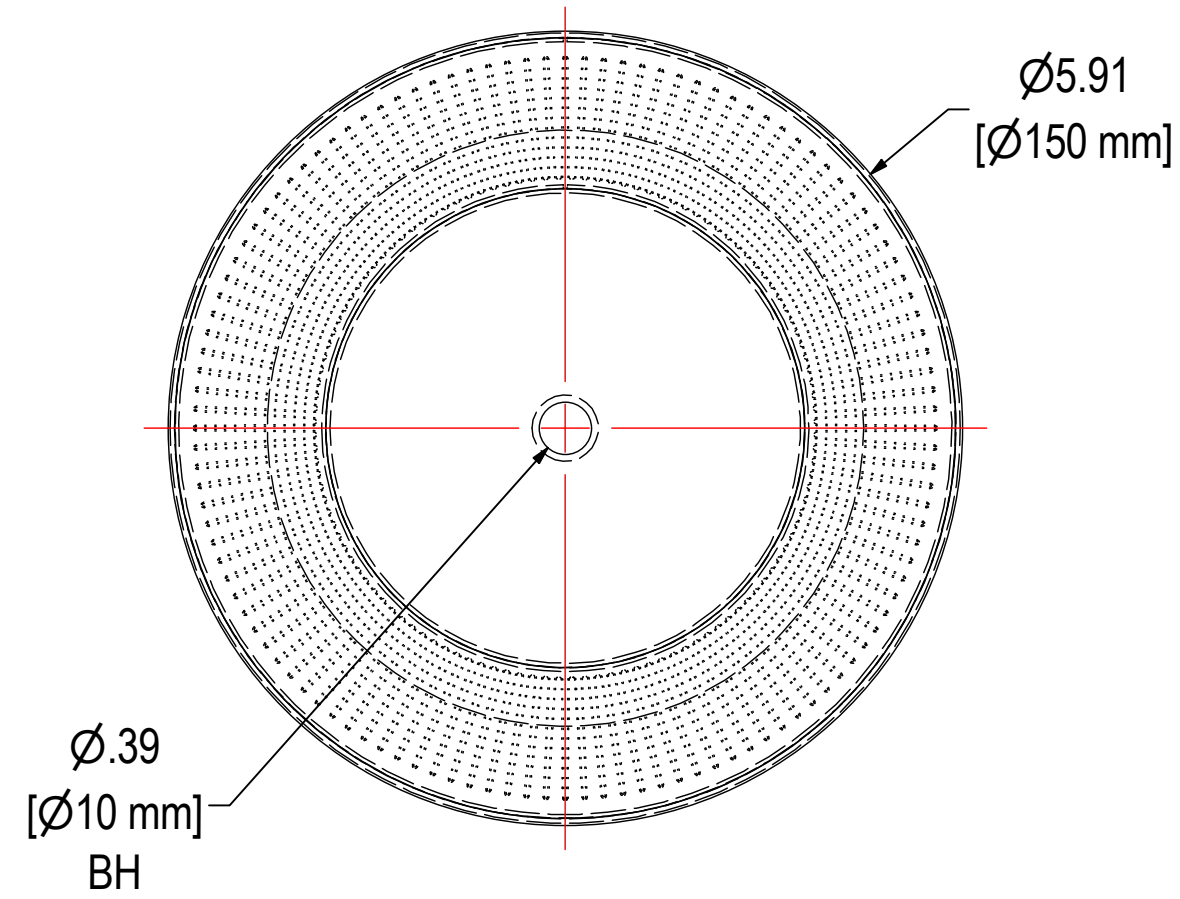


REV	DESCRIPTION	ECN #	CHG BY	DATE	APP'D
A	UPDATED DRAWING STANDARD	WEB	TAS	09/30/19	NAD



ELEMENT SPECS		
PART NUMBER	850/1	
MATERIAL	Paper	
FLOW RATE	290 CFM	493 m <sup>3</sup> /hr
SURFACE AREA	13.1 ft <sup>2</sup>	1.2 m <sup>2</sup>
I.D.	3.50"	89mm
O.D.	5.91"	150mm
HEIGHT	8.52"	216mm